



*It's in the Bag!*

# BAGS & MORE

Shugon Collection • [www.shugon.com](http://www.shugon.com)

Shugon products are manufactured since 1986 to ISO9001 quality standard, using only the finest materials and accessories.



**NICE 1016 \* 625.38**

School & Promo



Shopper




Non-Woven

Non-woven messenger bag • One compartment • Wide shoulder strap • Suitable for screen printing / transfer printing, on both sides • Origin: CN 4202929190.

 100 gsm Non-Woven Polypropylene

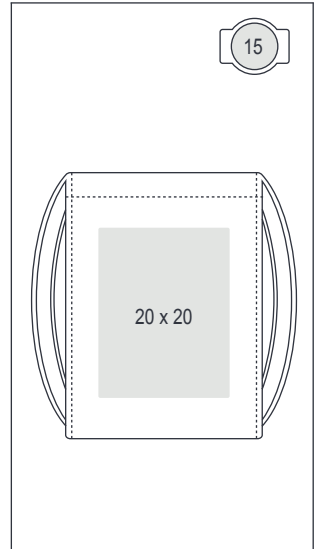
 36 x 30 x 8 cm  
8 litres

 39 x 43 x 40 cm  
100 pieces, 6 kg

■ 1016-10  
| Black/White



■ 1016-50  
| White/Black



### LEGEND

 Material

 Product Dimensions and Capacity

 Carton Dimensions, Quantity and Weight

YY x XX Print Area (cm) Position and Size

Embroidery Hoop (cm)

